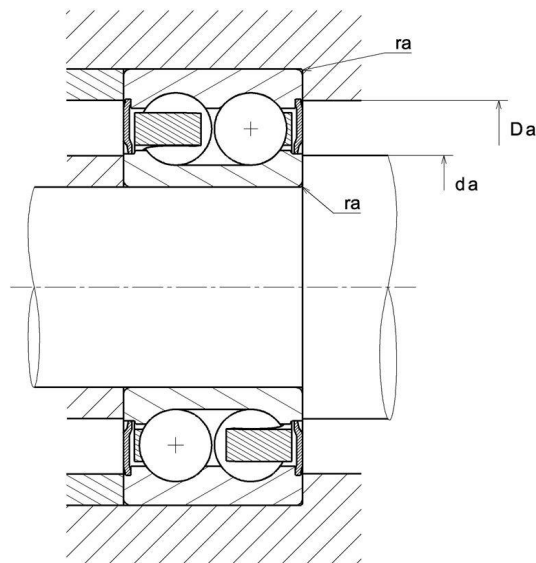
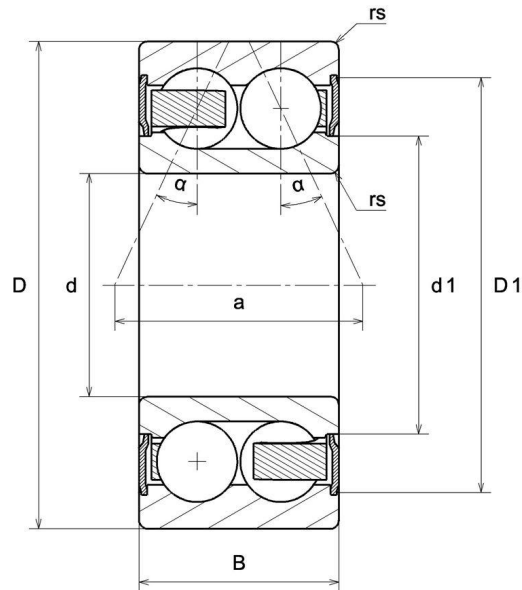


**Technical data**

**5204EEG15**

Double row angular contact ball bearings

**VISUAL (S)**



# 5204EEG15

Double row angular contact ball bearings

## PRODUCT DEFINITION

|                                          |         |
|------------------------------------------|---------|
| <b>Brand</b>                             | SNR     |
| <b>d - Internal diameter</b>             | 20 mm   |
| <b>D - External diameter</b>             | 47 mm   |
| <b>B - Bearing/Inner ring width</b>      | 20,6 mm |
| <b>d1 - External diameter inner ring</b> | 28,8 mm |
| <b>D1 - Inner diameter outer ring</b>    | 41,9 mm |
| <b>a - Charge load application point</b> | 24,2 mm |
| <b>- Contact angle</b>                   | 25 °    |
| <b>rs - Min fillet radius</b>            | 1 mm    |
| <b>Radial clearance class</b>            | CN      |
| <b>Precision class</b>                   | P0      |
| <b>Mass</b>                              | 0,14 kg |

## PRODUCT PERFORMANCE

|                                         |              |
|-----------------------------------------|--------------|
| <b>C - Dynamic load</b>                 | 19,1 kN      |
| <b>C0 - Static load</b>                 | 12,5 kN      |
| <b>Cu - Fatigue limit load</b>          | 0,81 kN      |
| <b>f0 - Coefficient</b>                 | 13.7         |
| <b>Nlim - Mechanical Limit Speed</b>    | 10000 tr/min |
| <b>Tmin - Min operating temperature</b> | -20 °C       |
| <b>Tmax - Max operating temperature</b> | 120 °C       |

## BEARING FREQUENCIES

|                                                            |          |
|------------------------------------------------------------|----------|
| <b>BPFO - Characteristic outer ring frequency (60 rpm)</b> | 3.154 Hz |
| <b>BPFI - Characteristic inner ring frequency (60 rpm)</b> | 4.846 Hz |

# 5204EEG15

Double row angular contact ball bearings

## BEARING FREQUENCIES

|                                                                |          |
|----------------------------------------------------------------|----------|
| <b>FTF - Characteristic cage frequency (60 rpm)</b>            | 0.394 Hz |
| <b>BSF - Characteristic rolling element frequency (60 rpm)</b> | 4.091 Hz |

## ABUTMENT

|                                                       |         |
|-------------------------------------------------------|---------|
| <b>da min - Min shoulder diameter IR</b>              | 25 mm   |
| <b>da max - Max shoulder diameter IR</b>              | 28,8 mm |
| <b>Da max - Max shoulder diameter OR</b>              | 42 mm   |
| <b>ra max - Max shaft &amp; housing fillet radius</b> | 1 mm    |