

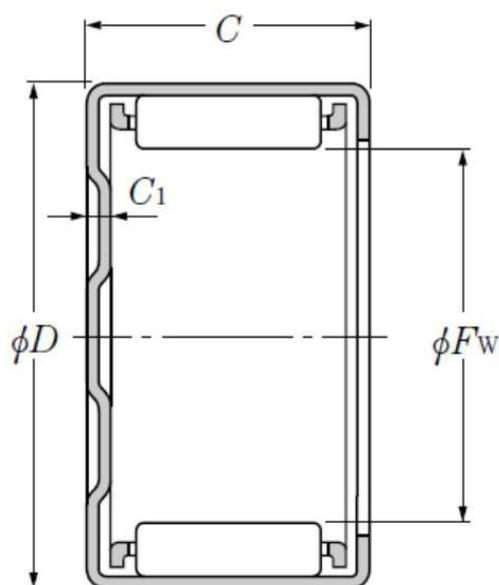
Technical data

BK2526

Drawn cup needle roller bearings, closed end

Needle roller bearing, drawn cup, closed end

VISUAL (S)



PRODUCT DEFINITION

Brand	NTN
Fw - Under rollers diameter	25 mm
D - External diameter	32 mm
C - Width of bearing, drawn cup or outer ring	26 mm
C1 - Max drawn cup closed end thickness	2,7 mm
Lubrication hole on outer ring	No
Inner ring reference	IR20X25X26.5
Mass	0,049 kg

BK2526

Drawn cup needle roller bearings, closed end

PRODUCT PERFORMANCE

Cr - Dynamic load rating	26,4 kN
C0r - Static load rating	46 kN
Nlim - Grease lubrication limit speed	6500 tr/min
Nlim - Oil lubrication limit speed	9500 tr/min
Tmin - Min operating temperature	-20 °C
Tmax - Max operating temperature	120 °C