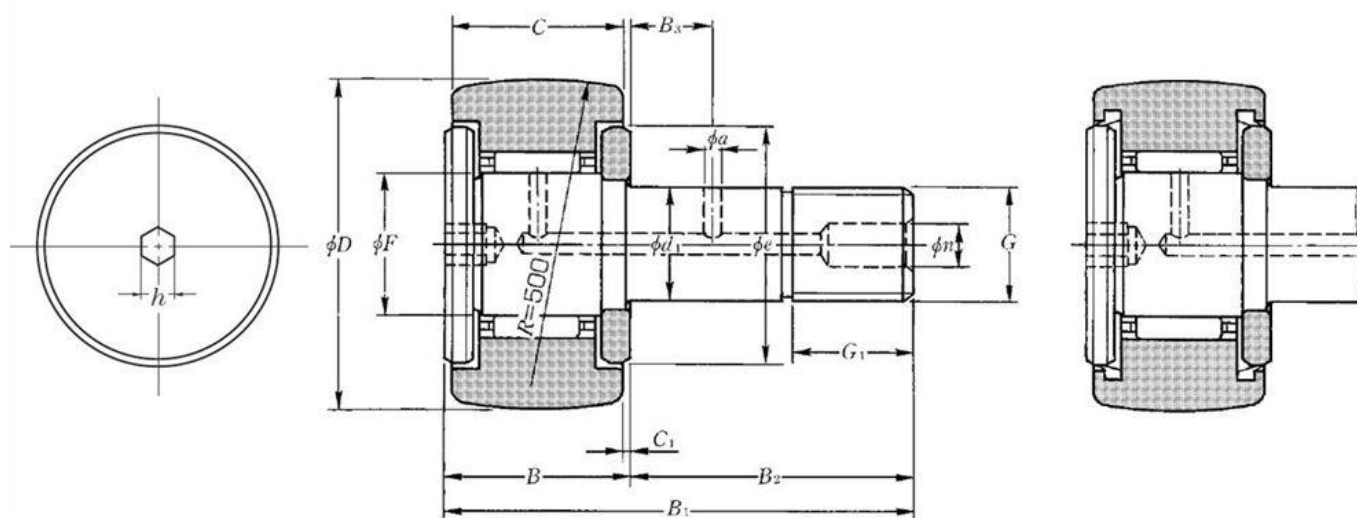


Technical data

KR26FLLH/3AS

Cam follower with shaft

VISUAL (S)



PRODUCT DEFINITION

Brand	NTN
D - External diameter	26 mm
d1 - Stud diameter	10 mm
C - Width of bearing, drawn cup or outer ring	12 mm
F - Under roller diameter	12 mm
B - Bearing/Inner ring width	13 mm
B1 - Total stud length	36 mm
B2 - Stud rod length	23 mm
G - Stud thread designation	M10X1.25

PRODUCT DEFINITION

G1 - Thread length of the stud	12 mm
C1 - Distance between roller face and washer face	0,6 mm
n - Axial lubrication hole diameter	4 mm
e - Inlet diameter of roller or washer	17 mm
h - Hexagonal hole	4 mm
R - Track roller radius	500 mm
Maximum tightening torque	14 N-m
Bearing with/without cage	With
Radial clearance class	CN
Precision class	P0
Mass	0,059 kg

PRODUCT PERFORMANCE

Cr - Dynamic load rating	5,3 kN
C0r - Static load rating	6,65 kN
Track load capacity spherical outer ring	2,12 kN
Nlim - Grease lubrication limit speed	10000 tr/min
Tmin - Min operating temperature	-20 °C
Tmax - Max operating temperature	100 °C