



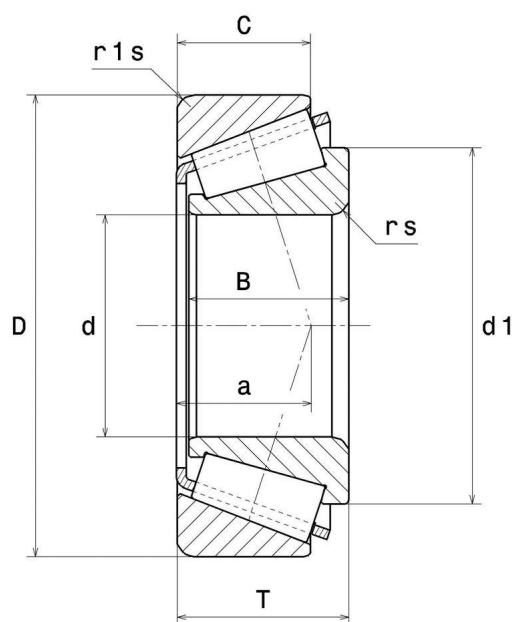
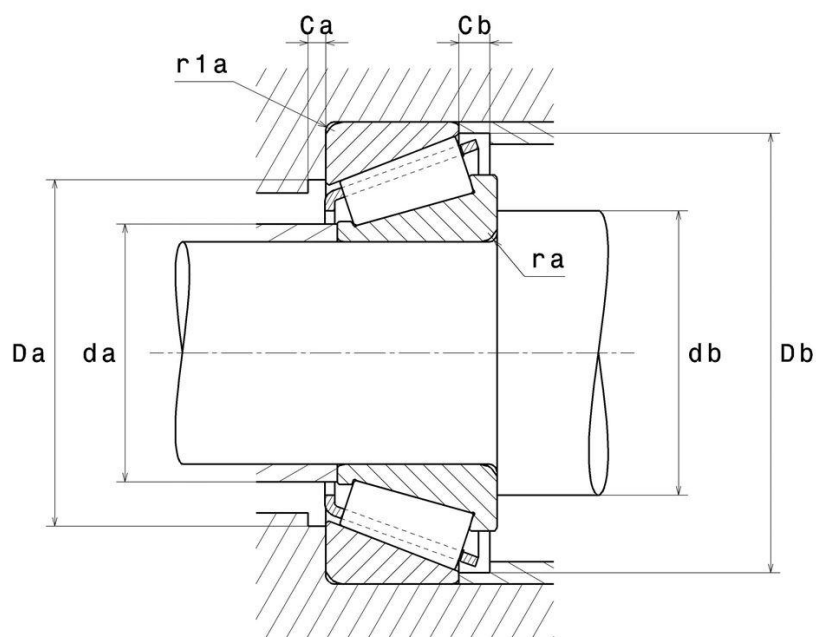
**Technical data**

**LM.503349/310**

Passenger Cars Gearbox Bearings

Tapered roller bearing, pressed steel cage

**VISUAL (S)**



## CHARACTERISTICS

<b>Gearbox code</b>	CX
<b>External diameter 1</b>	74 mm
<b>Internal diameter n°1</b>	45 mm
<b>Width 1</b>	18 mm
<b>Weight</b>	0,305 kg

## OE EQUIVALENTS

Manufacturer	Part number
<b>CITROEN</b>	95496520
<b>MERCEDES</b>	0009808202   0089815705   A0089815705

## AUTOMOTIVE COMPATIBILITY

Brand	Model	Generation	Date	Location	Position
<b>CITROEN</b>	CX	CX	07/1974 => 12/1991	Front differential	Left / Right
<b>MERCEDES</b>	Série 107	C107 Coupe	07/1974 => 08/1981		
<b>MERCEDES</b>	Série 107	C107 Coupe	07/1974 => 08/1981	REAR	Left / Right
<b>MERCEDES</b>	Classe G	Classe G (M460)	03/1979 => 12/1981		
<b>MERCEDES</b>	Classe G	Classe G (M460)	03/1979 => 12/1981	FRONT	Left / Right
<b>MERCEDES</b>	Classe G	Classe G (M461)	03/1979 => 12/1989		
<b>MERCEDES</b>	Classe G	Classe G (M461)	03/1979 => 12/1989	FRONT	Left / Right
<b>MERCEDES</b>	Série 107	R107 Roadster	07/1974 => 08/1989		
<b>MERCEDES</b>	Série 107	R107 Roadster	07/1974 => 08/1989	REAR	Left / Right
<b>MERCEDES</b>	Série 116	W116	08/1972 => 09/1980		
<b>MERCEDES</b>	Série 116	W116	08/1972 => 09/1980	REAR	Left / Right

AUTOMOTIVE COMPATIBILITY					
Brand	Model	Generation	Date	Location	Position
<b>MERCEDES</b>	Série 123	W123	01/1976 => 12/1985		
<b>MERCEDES</b>	Série 123	W123	01/1976 => 12/1985	REAR	Left / Right
<b>MERCEDES</b>	Série 126	W126	09/1979 => 12/1991		
<b>MERCEDES</b>	Série 126	W126	09/1979 => 12/1991	REAR	Left / Right